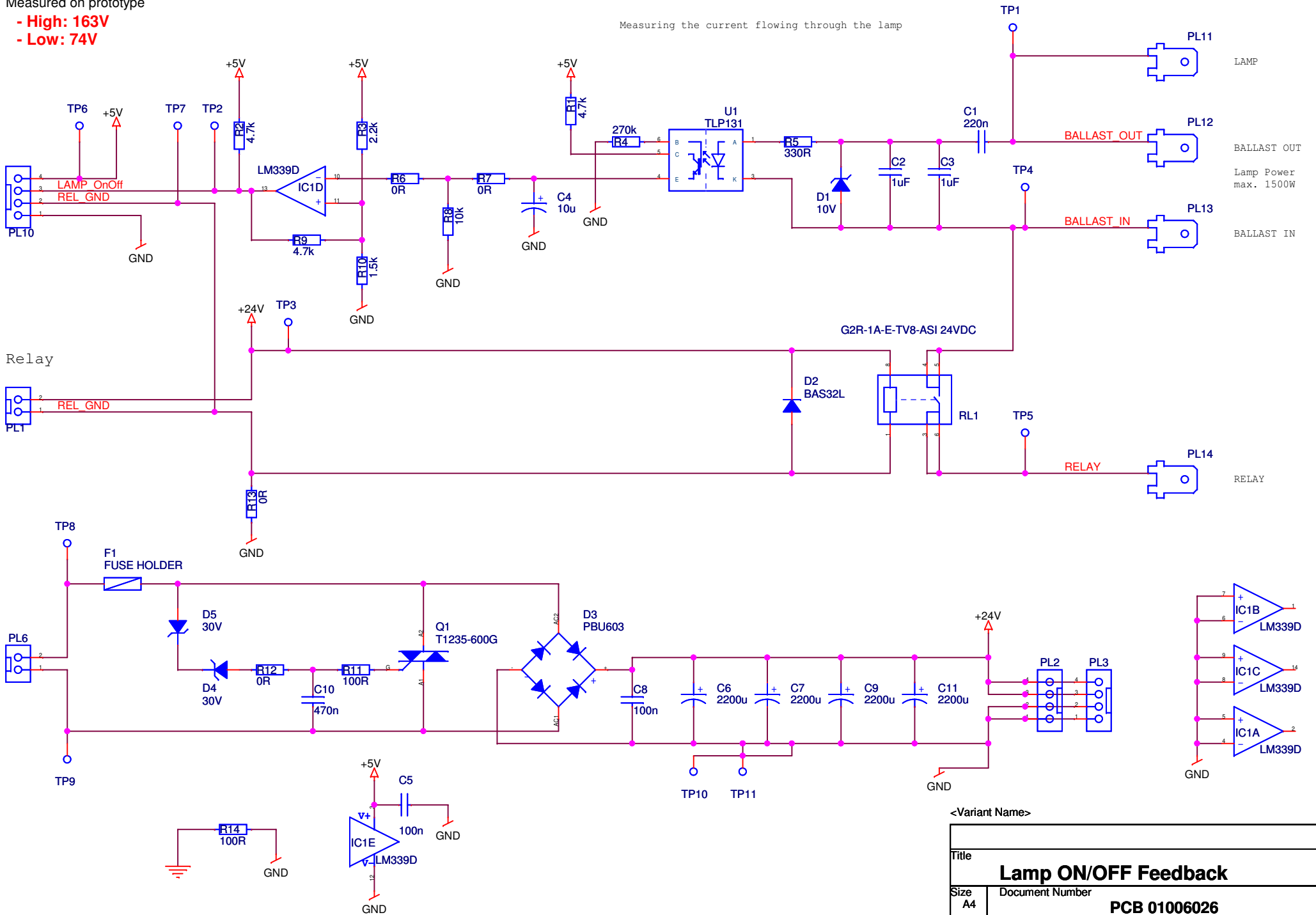


Hysteresis:

Measured on prototype

- High: 163V
- Low: 74V

Measuring the current flowing through the lamp



<Variant Name>

Title		
Lamp ON/OFF Feedback		
Size	Document Number	Rev
A4	PCB 01006026	D
Date:	03-12-08	Sheet 1 of 1